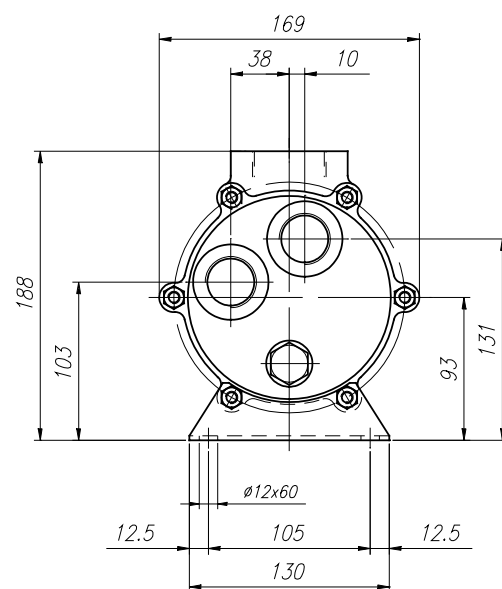
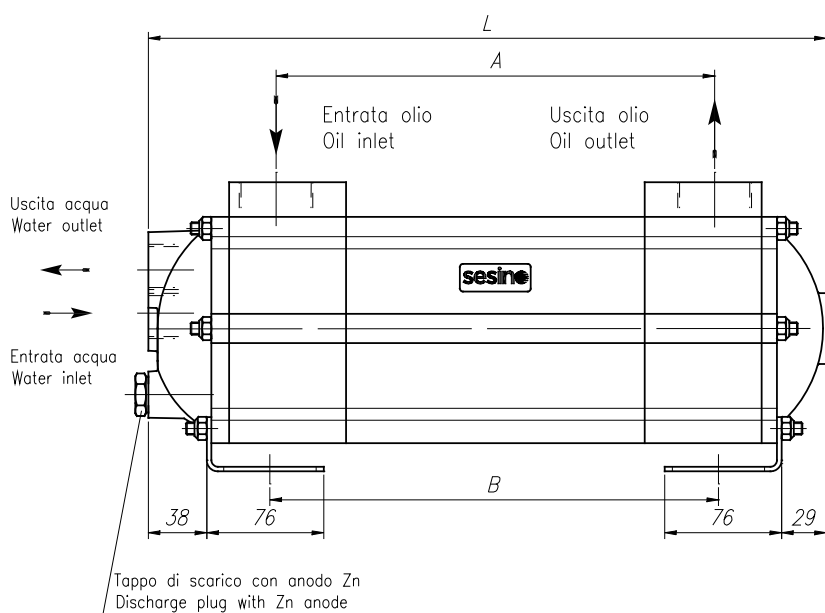


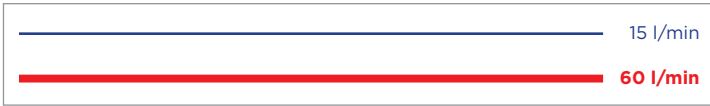
MSG 134



Potenza termica scambiata a $\Delta T_{in}=25^{\circ}\text{C}$ Heat exchanged a $\Delta T_{in}=25^{\circ}\text{C}$ [kW] Connessioni Connections

Tipo Type	Codice Code	Portata acqua Water flow [l/min]	Portata olio Oil flow [l/min]	min. acqua, min. olio min. water, min. oil flow	min. acqua, max. olio min. water, max. oil flow	max. acqua, min. olio max. water, min. oil flow	max. acqua, max. olio max. water, max. oil flow	Acqua Water	Olio Oil	Interasse connessioni olio Oil connections distance A [mm]	Interasse fori fissaggio Anchor point distance B [mm]	Lunghezza Length L [mm]	Peso Weight [kg]
MSG 134 P1	2SCG134P1	15-60	30-100	4	10	4	13	G1	G1-½	285	243,5-339,5	440,5	16,4
MSG 134 P2	2SCG134P2	15-60	40-130	14	24	19	36	G1	G1-½	535	493,5-589,5	690,5	22,6
MSG 134 P3	2SCG134P3	15-60	120-250	22	28	32	43	G1	G2	520	493,5-589,5	690,5	23
MSG 134 P4	2SCG134P4	15-60	80-250	9	23	10	32	G1	G1-½	845	803,5-899,5	1000,5	30,7
MSG 134 P5	2SCG134P5	15-60	200-400	34	43	53	77	G1	G2	830	803,5-899,5	1000,5	30,9
MSG 134 P6	2SCG134P6	15-60	30-170	12	29	13	40	G1	G1-½	1145	1103,5-1199,5	1300,5	40
MSG 134 P7	2SCG134P7	15-60	200-500	35	70	45	105	G1	G2	1130	1103,5-1199,5	1300,5	39,5

WATER FLOW RATE:

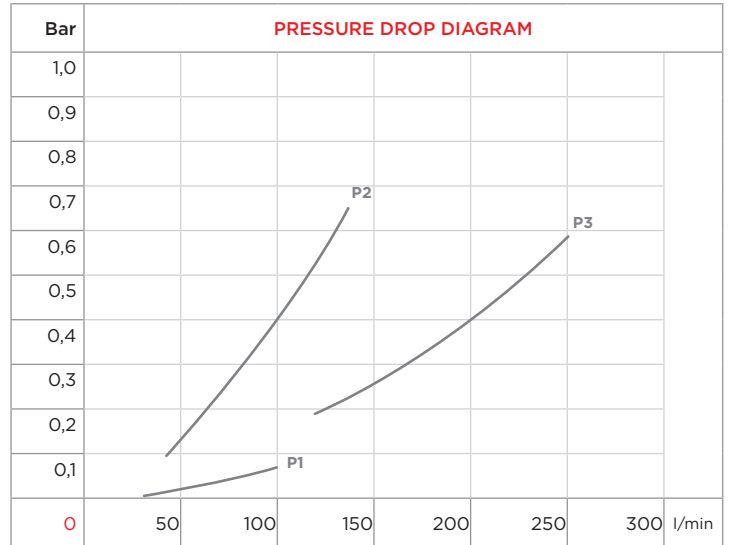


P1 P2 P3

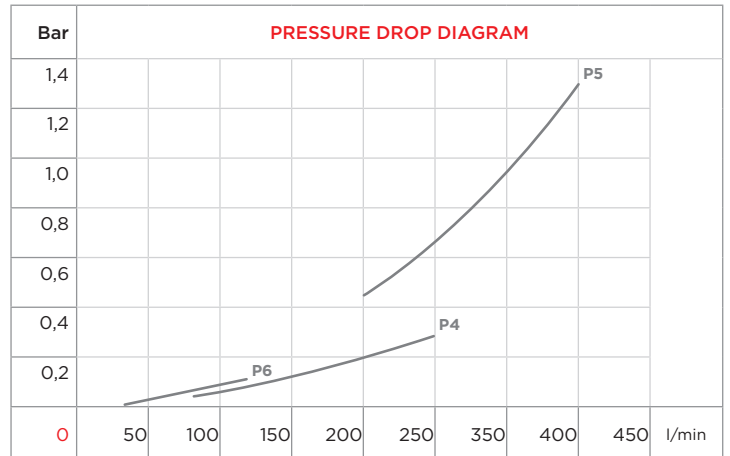
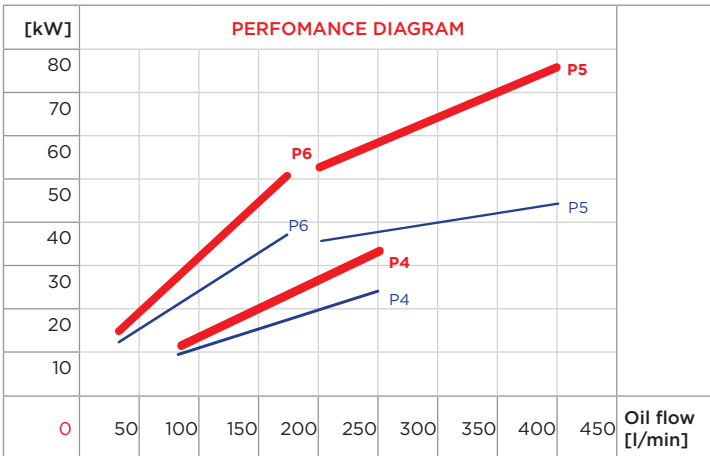


CONSTRUCTION MATERIALS

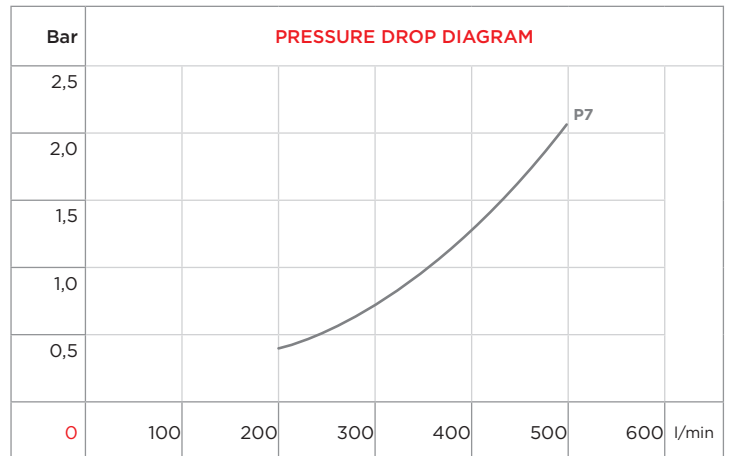
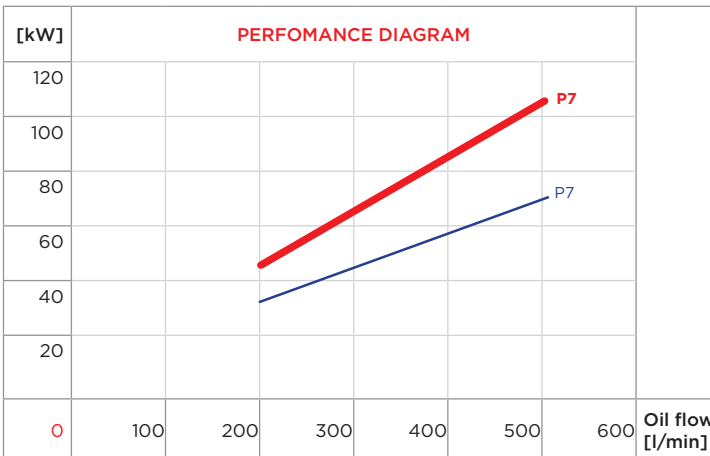
SHELL	TUBES	END COVERS
ALLUMINIUM	COPPER	ALLUMINIUM



P4 P5 P6



P7



CORRECTION FACTOR							
ΔT_m	10	15	20	25	30	35	40
f	2,5	1,67	1,25	1	0,83	0,71	0,63

CORRECTION FACTOR							
cSt	22	30	46	68	100	150	220
f	0,4	0,6	1	1,5	2,3	3,3	4,6